



e-mail to 250@gandini.it

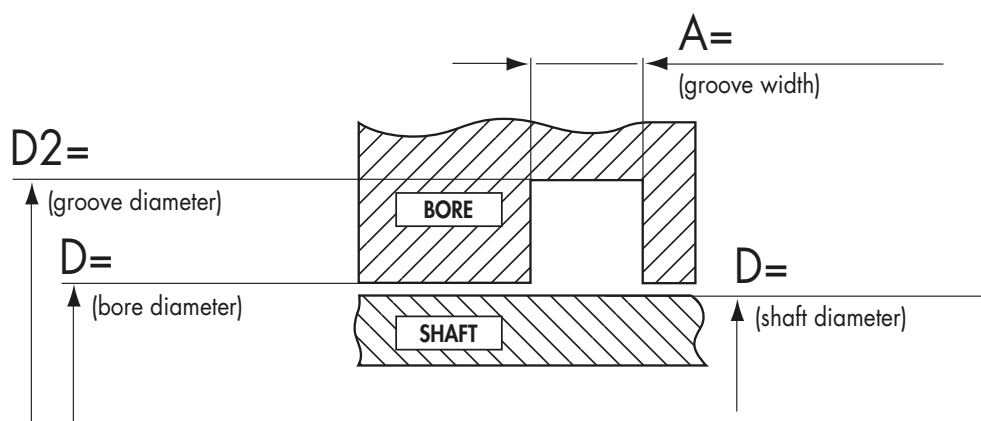
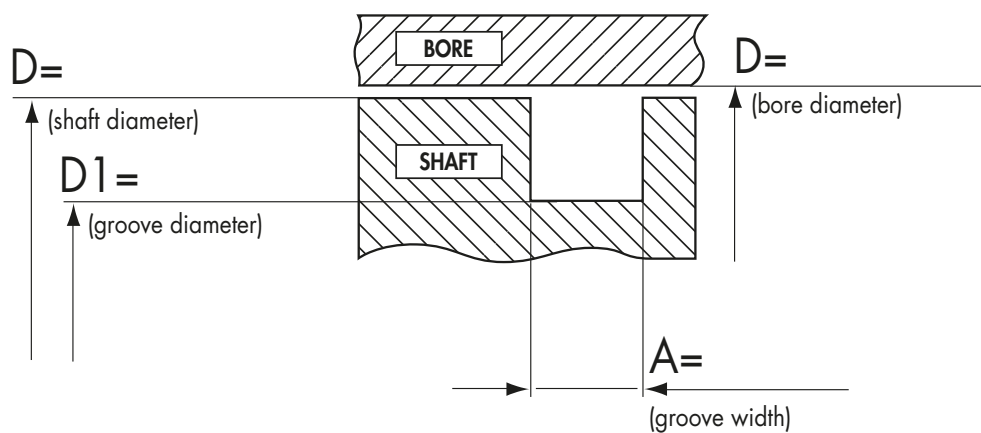
Name Surname Date

Company

Address Zip Code City Nation

Phone Fax

E-mail



GANDINI FASTENERS SRL

VIALE PIER PAOLO PASOLINI, 83 - 20099 SESTO S. GIOVANNI (MI) ITALY - TEL. +39 02 241 047 1

info@gandini.it - www.gandini.it - REG.IMP.MI /C.F./P. IVA IT 04362170153 - CAP SOC. € 1.010.000 I.V. - REA MI 1007381